



*100%
ecological style*



VICTRIX

Wall-hung compact condensing boilers



VICTRIX 100% ECOLOGICAL STYLE

Nowadays, a responsible use of the energy sources and the reduction of the human impact on the ecosystem are objectives of primary importance, universally shared. Even the world of heating plays its role in this mission: for this reason, the condensing boiler market has been registering in the last years a continuous and constant growth.

TECHNOLOGY IS GREEN

In terms of environmental impact, the condensing technology presents a double advantage compared with traditional boilers. It guarantees a gas consumption reduction up to the 30% and, at the same time, it allows to greatly reduce the polluting emissions deriving from the combustion process. All VICTRIX models are ascribed to class 5, the most ecological one in the UNI EN 297 and UNI EN 483 European standard classification.

Moreover, the VICTRIX models allow to face the constant increase of the gas cost thanks to a more rational fuel usage, advantaging the economic budget of your family.





VICTRIX

**ECO-FRIENDLY
CONDENSING BOILERS**

MONEY SAVING

COMPACT DIMENSIONS

ITALIAN DESIGN

TECHNOLOGY IS VICTRIX SERIES

The constant attention to satisfy the customer exigencies, has brought Immergas to create a new range with 3 different models and with nominal heat outputs from 12 kW to 26 kW.

The combi instantaneous model, called VICTRIX 26, has a nominal heat output (heating function) of 24 kW allowing excellent performances in terms of home comfort, while has up to 26 kW of nominal heat output (sanitary function) guaranteeing great hot water availability to the tap.

The heating only models, called VICTRIX X 12 and VICTRIX X 24, are characterized by nominal heat outputs of 12 and 24 kW.

The VICTRIX X 12 was specially designed for the new building market which, characterized by construction techniques able to reduce the loss of heat towards the outside, requires low output generators to guarantee the best home comfort.

Moreover, both the only heating versions are prearranged to be equipped with our IMMERSTOR storage tank range, with sanitary hot water storage capacities from 80 to 1.000 litres.





TECHNOLOGY IS SIMPLE

Immergas, thanks to its long experience in the field, has succeeded in melting technology and simplicity in a single product. The new VICTRIX range offers in fact a technologically elevated product, maintaining at the same time simplicity of use and regulation.

The elegant control board is equipped with a modern back-lit digital display and traditional knobs for the temperature setting. The regulation operations are easy and intuitive, while the information visualized on the display allow to keep the appliance functioning always under control.



TECHNOLOGY IS LIGHT AND COMPACT

VICTRIX boilers, with their width of 25 cm only, are among the most compact ones on the market and can be installed without compromising the space in your home, even inside a wall cupboard.

The VICTRIX range is equipped with a new condensing module composed of an INOX steel central unit, contained in a composite material shell. Traduced in terms of performances, this means guarantee of reliability in time along with a great reduction of the overall weight, to make the installing operation easier.

TECNOLOGY IS COMFORT, YOUR COMFORT

The energy saving guaranteed by the condensing technology can be further emphasized combining VICTRIX boilers to Immergas thermoregulation accessories, such as the CAR and the external probe. These devices transmit to the boiler the environmental condition both inside and outside the house and allow to reach the maximum home comfort with the minimum use of the boiler and thus gas consumption.

The CAR remote control carries out also the daily sanitary timer function and can programme the desired home temperature on two consumption levels.



CHARACTERISTICS OF THE RANGE

- Modulating heat output range from 1,9 kW to 26 kW
- Compact dimensions
- Light weight
- High efficiency and low pollutant emissions thanks to condensing technology
- Optimum seasonal performances thanks to termoregulation options such as CAR and external probe
- Control panel with digital display
- Automatic system by-pass
- Electronic control board microprocessor driven
- Electronic ignition and modulation
- Optional connection group

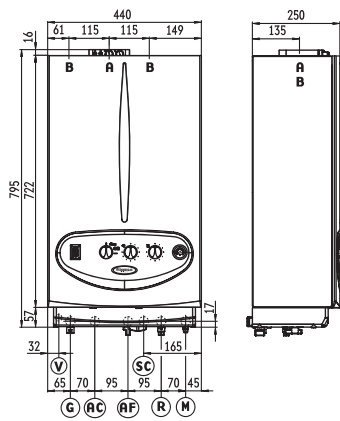


| Model | C.H. Heat output kW | D.H.W. Heat output kW | Efficiency rating (D.P.R. 660/96) | Condensing/ Premixed burner | Reduced pollutant emission (NOx-CO) | Protection index | Frost protection | Optional connection group |
|--------------|---------------------------|-----------------------------|---|-----------------------------------|--|---------------------|---------------------|---------------------------------|
| VICTRIX 26 | 24,0 | 26,0 | 4 stars | ■ | ■ | IPX4D | -5°C | 3.017494 |
| VICTRIX X 24 | 24,0 | 26,0* | 4 stars | ■ | ■ | IPX4D | -5°C | 3.017495 |
| VICTRIX X 12 | 12,0 | 12,0* | 4 stars | ■ | ■ | IPX4D | -5°C | 3.017495 |

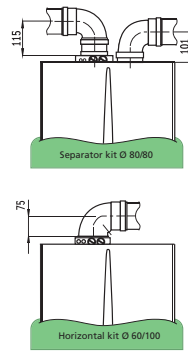
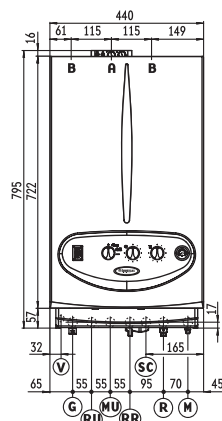
* Available heat output in case of connection to a separate storage tank

Technical Information

VICTRIX 26 2 I



VICTRIX X 24 2 I VICTRIX X 12 2 I



KEY

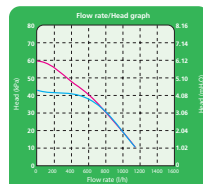
- V Electrical connection
- G Gas supply
- AC Hot domestic water outlet
- AF Cold domestic water inlet
- RU Storage tank return
- MU Storage tank delivery
- RR System filling
- SC Condensate drain
- R System return
- M System delivery
- A Outlet/Inlet
- B Inlet

Hydraulic connections

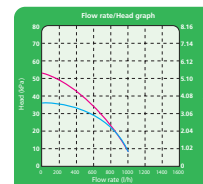
| | Gas | System | Domestic hot water |
|------------------|-----------|------------------------|--|
| VICTRIX 26 2 I | G 1/2" | R 3/4" M 3/4" | AC 1/2" AF 1/2" |
| VICTRIX X 24 2 I | G 1/2" | R 3/4" M 3/4" | RR 1/2" MU 3/4"* RU 3/4"* |
| VICTRIX X 12 2 I | 1/2" | 3/4" 3/4" | 1/2" 3/4"* 3/4"* |

* Only in case of storage tank connection kit

VICTRIX 26 2 I
VICTRIX X 24 2 I



VICTRIX X 12 2 I



Available head in the system:
■ at maximum speed with closed by-pass
■ at maximum speed with open by-pass (factory setting)

Technical data

| | Unit of measurement | VICTRIX 26 2 I | VICTRIX X 24 2 I | VICTRIX X 12 2 I |
|--|---------------------|-------------------------|-------------------------|-------------------------|
| Code | N.G. L.P.G. | 3.019516 3.019516GPL | 3.019517 3.019517GPL | 3.019206 3.019206GPL |
| Maximum nominal heat input (domestic hot water heating mode) | kW | 26,7 | 26,7* | 12,3* |
| Maximum nominal heat input (central heating mode) | kW | 24,1 | 24,1 | 12,3 |
| Minimum nominal heat input | kW | 3,2 | 3,2 | 2,0 |
| Maximum nominal heat output (domestic hot water heating mode) | kW | 26,0 | 26,0* | 12,0* |
| Maximum nominal heat output (central heating mode) | kW | 23,6 | 23,6 | 12,0 |
| Minimum nominal heat output | kW | 3,0 | 3,0 | 1,9 |
| Efficiency at nominal heat output (80/60°C) | % | 97,8 | 97,8 | 97,7 |
| Efficiency at 30% of load (80/60°C) | % | 102,1 | 102,1 | 100,4 |
| Efficiency at nominal heat output (40/30°C) | % | 108,1 | 108,1 | 107,0 |
| Efficiency at 30% of load (40/30°C) | % | 108,7 | 108,7 | 107,9 |
| Gas consumption at nominal heat output with natural gas | m ³ /h | 2,82 | 2,55 | 1,30 |
| Weighted CO with natural gas | mg/kWh | 17,2 | 17,2 | 6,6 |
| Weighted NOx with natural gas | mg/kWh | 39,0 | 39,0 | 19,2 |
| D.H.W. flow rate for continuous service with ΔT=30°C, according to EN13203-1 | l/min | 12,9 | - | - |
| D.H.W. circuit max pressure | bar | 10 | - | - |
| Min. dynamic D.H.W. circuit pressure | bar | 0,3 | - | - |
| Min. D.H.W. flow rate | l/min | 1,5 | - | - |
| Central heating circuit max pressure | bar | 3 | 3 | 3 |
| Central heating expansion vessel capacity | litres | 8,0 | 8,0 | 8,0 |
| Full appliance weight | Kg | 42,4 | 41,6 | 39,5 |

* Available heat output in case of connection to a separate storage tank



During the life of a boiler, performance is influenced by external factors, e.g. water hardness, atmospheric agents, system limiting, etc. The published data refers to new products correctly installed and used, in accordance with local regulations. N.B. we recommend regular periodic maintenance of the appliance.