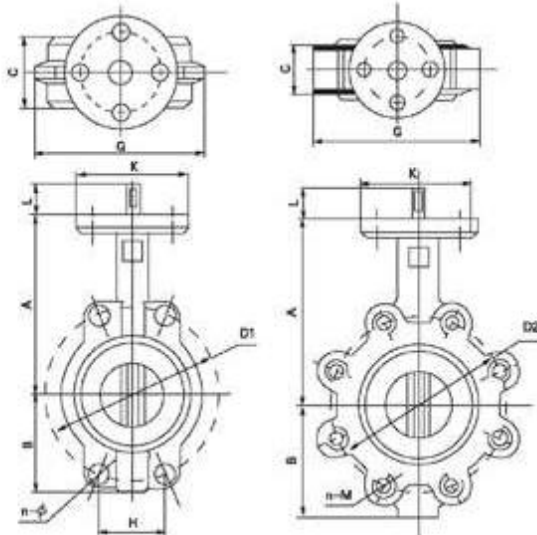


WAFER & LUG BUTTERFLY VALVES, PN16/CL125/150



DESCRIPTION

1. Suitable Temperature: BUNA-N(NBR) < 80°C
 EPDM < 120°C
 VITON < 150°C

2. Suitable Media: Fresh Water, Sewage, Sea Water, Air, Vapour, Food, Medicine, Oils, Acids, Alkalis, Salts, Etc.

MATERIALS LIST

NO.	Part	Materials	Optional Materials
1	Body	Cast iron	Ductile Iron, Carbon steel, Stainless steel
2	Seat	Buna-N or EPDM	Neoprene, Hypalon, Viton, Food Grade EPDM, PTFE
3	Disc	Ductile Iron	Aluminum Bronze, 316SS, 304SS, Steel
4	Shaft	SS410	304, 316 Stainless Steel, Monel
5	Key	Carbon Steel	None
6	O-Ring	Buna-N	None
7	Bushing	Lubricated Bronze	Fiberglass Backed PTFE

DIMENSIONS(mm)

DN	A	A**	B	B**	C	Type A	Type LT	K	L	D1*	D2*	n-φ*	n-M*	A/LT(kg) weight
50	161	130	80	70	42	100	121	90	30	120	125	4-18	4-M16	2.9/4
65	175	136	90	78	44	120	138	90	30	136.2	145	4-18	4-M16	3.4/5
80	181	140	95	92	48	127	146	90	30	160	160	8-18	8-M16	4.5/6
100	200	152	114	106	52	156	206	90	30	185	180	8-18	8-M16	5.3/7.5
125	213	170	127	121	56	190	234	90	30	215	210	8-18	8-M16	7.5/9
150	226	186	139	140	56	212	262	90	30	238	240	8-23	8-M20	9.6/11
200	260	202	175	170	60	268	313	90	32	295	295	8-23 12-23	8-M20 12-M20	15.5/16.5
250	292	250	203	197	68	325	394	125	32	357	350 355	12-26	12-M20 12-M24	23.5/27
300	337	293	242	233	78	403	468	125	32	407	400 410	12-26	12-M20 12-M24	35/38.5
350	370		270		78	430	515	150	45	467	460 470	16-26	16-M24 16-M20	42.5/72
400	400		300		86	485	580	175	51	515 525	515 525	16-30	16-M24 16-M27	52/90
450	422		320		105	537	627	175	51	565 585	565 585	20-26 20-30	20-M24 20-M27	87/111
500	480		360		130	592	696	197	64	620 650	620 650	20-26 20-33	20-M24 20-M30	98/123
600	562		420		151	706	821	197	70	725 770	725 770	20-30 20-36	20-M27 20-M33	133/178

1. The asterisks identify the dimensions of the valves of different pressure grade PN10/PN16. The flanges of the butterfly valves accommodate all types of operations; manual, worm&gear, electric, hydraulic and pneumatic actuators.

2. Both Type A and Type LT valve have the same construction and performances, and are made of the same materials. The major difference between them is that the LT type can be joined between two pipes using ordinary hexagon-headed bolts or mounted on the pipe end.

3. A**B** short valve neck

4. The flanges can be as per DIN2501 PN10/PN16, BS4504 PN10/PN16, BS10 TABLE E, ANSI B16.1, JIS 10K.